

ADLEEPOWER®

BM 370

Voltage	Rate Torque	Rate Power	Rate Speed	Rate Current
24V	12kg-cm	370W	3000Rpm	19.3A
	Max. Torque	Max. Power	Max. Speed	Max. Current
	40kg-cm	720W	3600RPM	54A

Power Supply: Lead acid battery

ADLEE POWERTRONIC CO., LTD.

Tel: 886-4-25622651

Fax: 886-4-25628289

Web: www.adlee.com

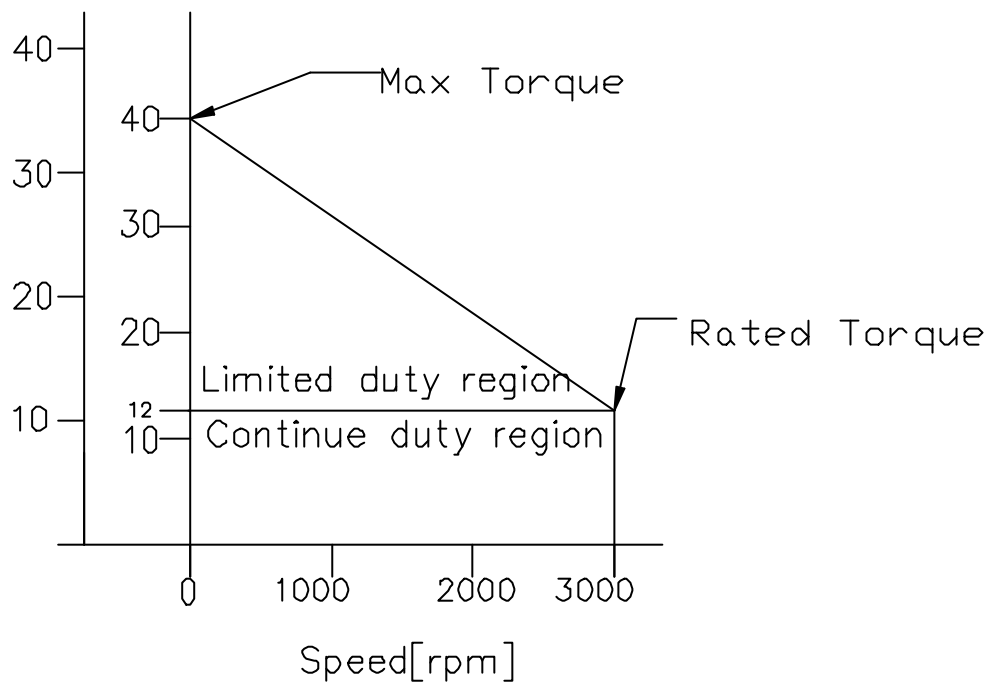
E-mail: webmaster@adlee.com

T/N curve

ADLEEPOWER®

■ BM370/BMD-370 24V
Torque

[in-lb] [kgcm]



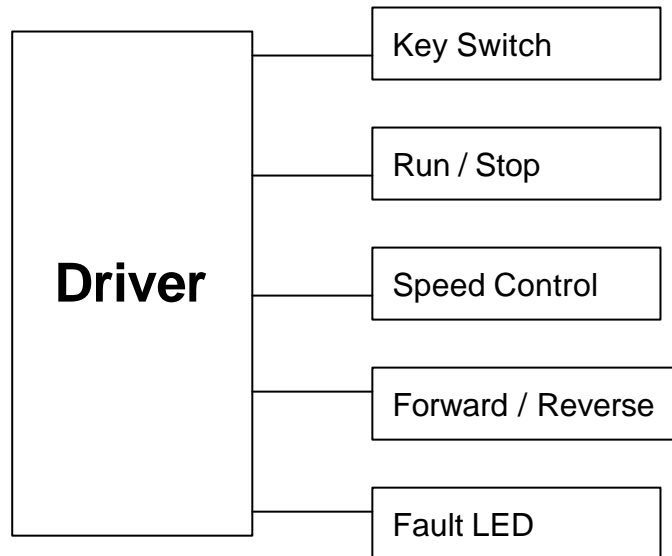
1 Nm = 10.2 kg-cm

1 in-lb = 16 in-oz

1 kg-cm = 0.866 lb-in

Control signal diagram

ADLEEPOWER®

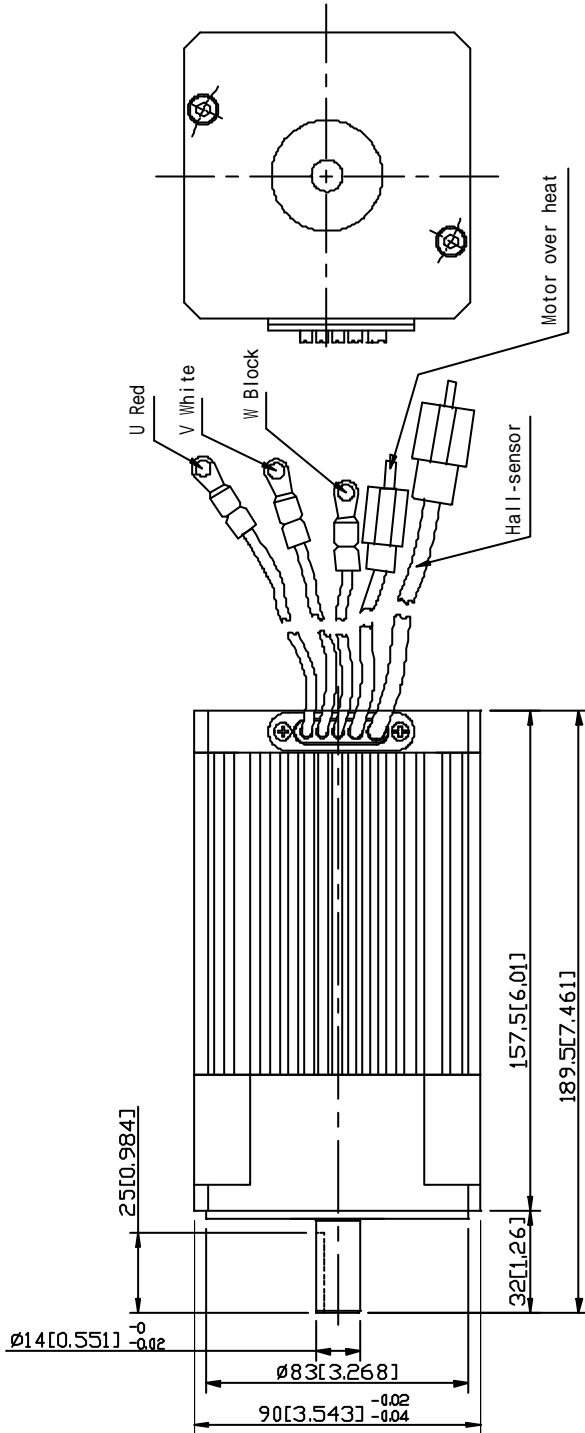


Protection

- Over current protection
- Motor over heat protection
- Low voltage protection
- Stall protection

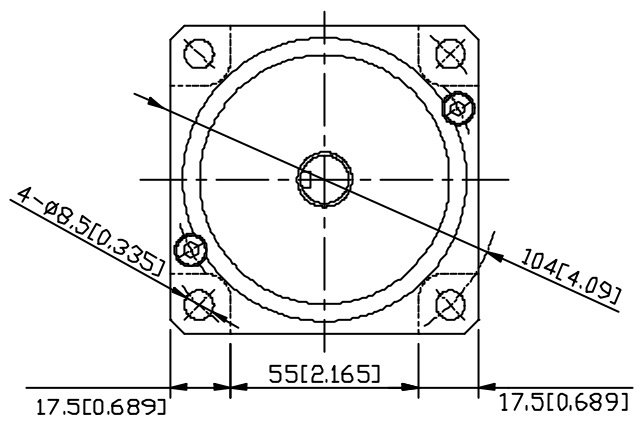
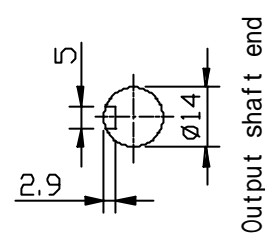
Motor Dimension

ADLEEPOWER®



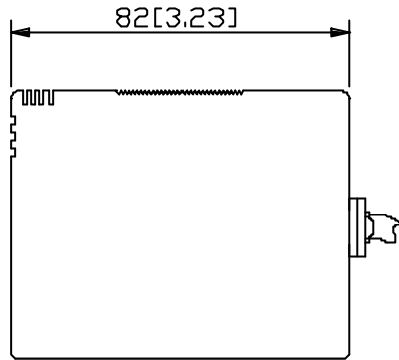
Wire length: 10.5cm

Unit: mm (inch)



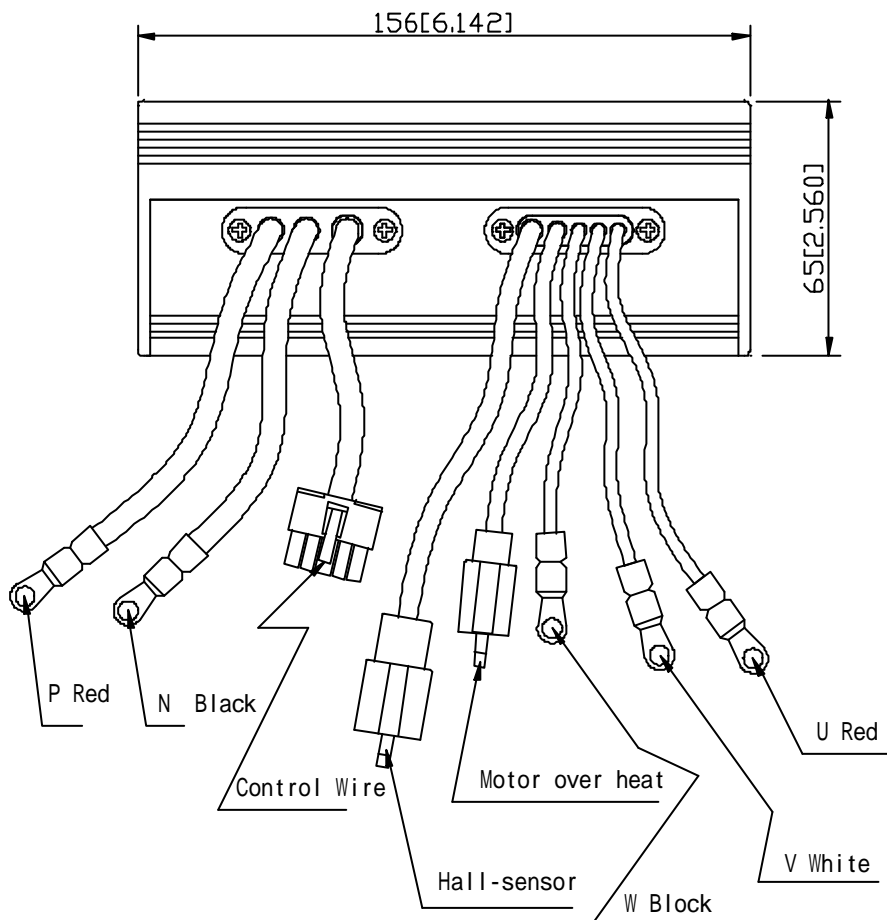
Driver Dimension

ADLEEPOWER®



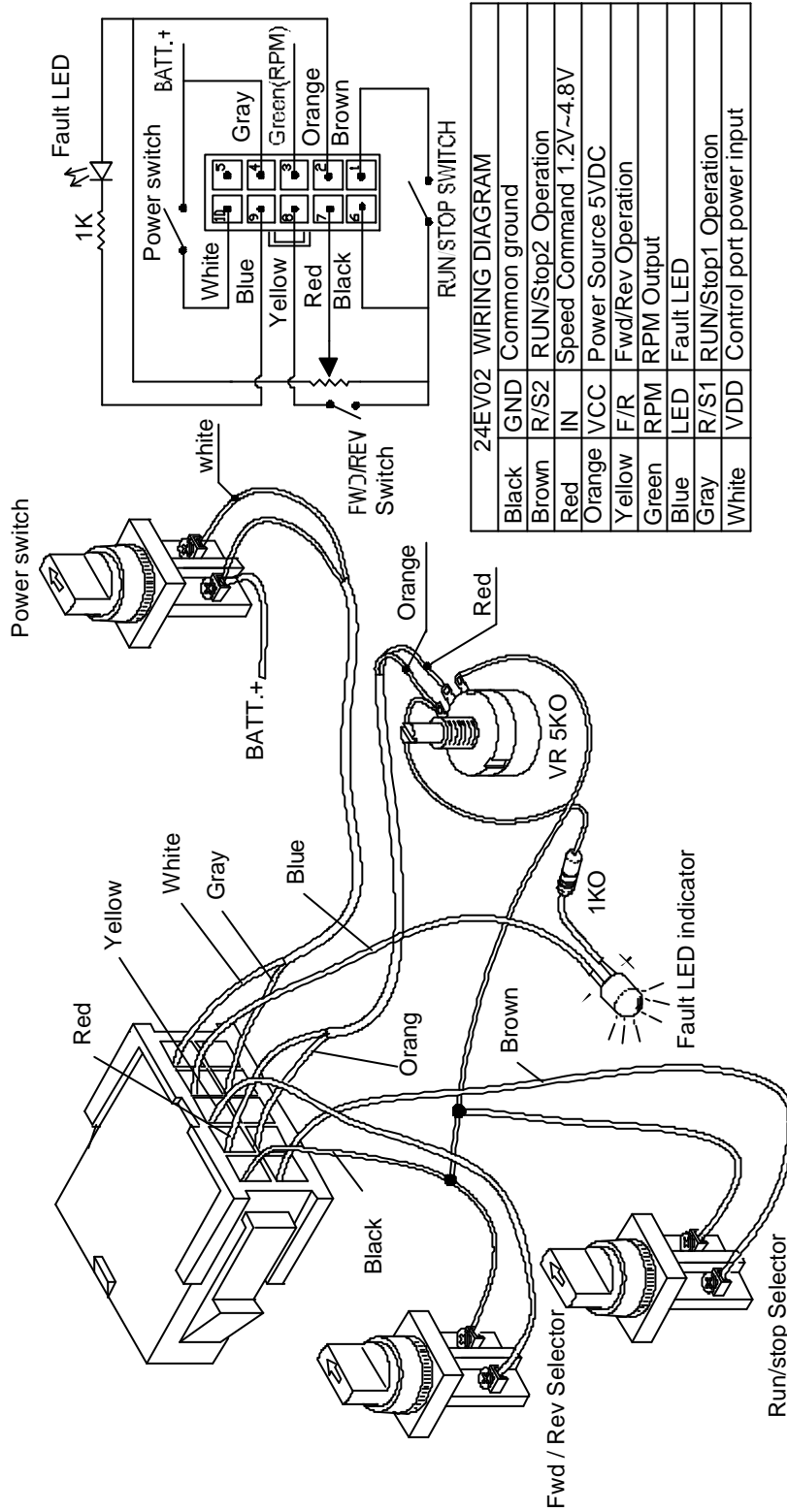
- NOTE: P (BATT "+") (Red) 13cm
N (BATT "-") (Black) 13.5cm
Control Wire 14.5cm
U Red 17.5cm
V White 17.5cm
W Block 17.5cm
Motor over heat 12cm
Hall-sensor 15cm

Unit: mm(inch)



Wiring Diagram

ADLEEPOWER®



24EV02 WIRING DIAGRAM	
Black	GND Common ground
Brown	R/S2 RUN/Stop2 Operation
Red	IN Speed Command 1.2V~4.8V
Orange	VCC Power Source 5VDC
Yellow	F/R Fwd/Rev Operation
Green	RPM RPM Output
Blue	LED Fault LED
Gray	R/S1 RUN/Stop1 Operation
White	VDD Control port power input